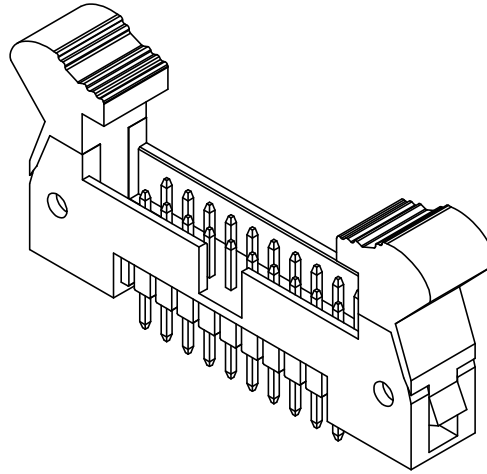
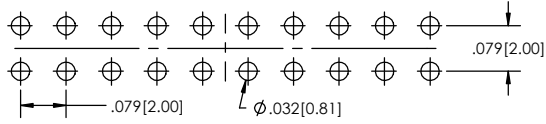
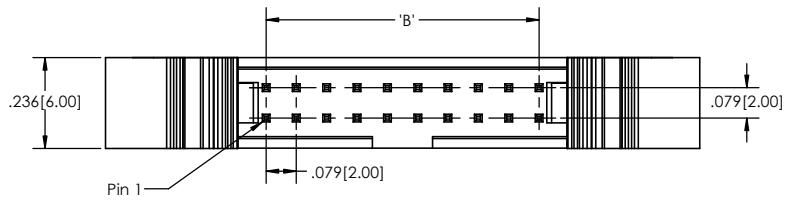


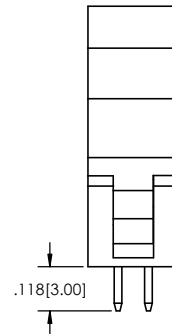
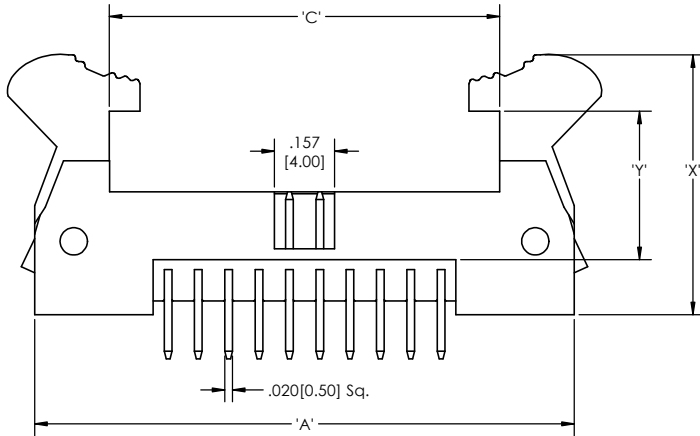
Recommended P.C. Board Layout
SCALE 6:1



| Pins Per Row | A | B | C |
|--------------|----------------|----------------|----------------|
| 5 | 1.012[25.7mm] | 0.315[8.00mm] | 0.622[15.80mm] |
| 6 | 1.090[27.70mm] | 0.394[10.00mm] | 0.701[17.80mm] |
| 7 | 1.169[29.70mm] | 0.472[12.00mm] | 0.779[19.80mm] |
| 8 | 1.248[31.70mm] | 0.551[14.01mm] | 0.858[21.80mm] |
| 10 | 1.405[35.70mm] | 0.709[18.00mm] | 1.016[25.80mm] |
| 11 | 1.484[37.70mm] | 0.787[20.00mm] | 1.094[27.80mm] |
| 12 | 1.563[39.70mm] | 0.866[22.00mm] | 1.173[29.80mm] |
| 13 | 1.642[41.70mm] | 0.945[24.00mm] | 1.252[31.80mm] |
| 15 | 1.799[45.70mm] | 1.102[28.00mm] | 1.409[35.80mm] |
| 17 | 1.957[49.70mm] | 1.260[32.00mm] | 1.567[39.80mm] |
| 20 | 2.193[55.7mm] | 1.496[38.00mm] | 1.803[45.80mm] |
| 22 | 2.350[59.70mm] | 1.653[42.00mm] | 1.961[49.80mm] |
| 25 | 2.587[65.70mm] | 1.890[48.00mm] | 2.197[55.80mm] |
| 34 | 3.295[83.7mm] | 2.598[66.00mm] | 2.905[73.80mm] |
| Accessories | | X | Y |
| Long Latch | | 0.775[19.70mm] | 0.453[11.50mm] |
| Short Latch | | 0.665[16.90mm] | 0.342[8.70mm] |



Pin 1



SHTSL-2 [XX] - [D] - [02] - [XX] - [XX] - [XXX] - [LF]
(A) (B) (C) (D) (E) (F) (G)

- A. Pins Per Row
- 5 through 34
- B. Row Specification
- D= Double Row
- C. Style
- 02= Black
- D. Plating Options
- See Plating Options below
- E. Ejector Latch
- LL= Long
- SL= Short
- F. Polarized Position
- Leave blank if not needed
- If required, specify empty pin position
- 001-068
- G. Lead Free

Mates With:
IDS-2

| Plating options | |
|-----------------|---|
| G | -10µ Gold on Contact Area/ Flash on Tail |
| T | -Matte Tin all Over |
| GT | -10µ Gold on Contact Area/ Matte Tin on Tail |
| H | -30µ Gold on Contact Area/ Matte Tin on Tail |
| F | -Gold Flash over Entire Pin |
| FT | - Gold Flash on Contact Area/ Matte Tin on Tail |

Specifications:
Current Rating: 1.0 Ampere
Insulation Resistance: 3000M Ohms Min.
Dielectric Withstanding: 500V AC/DC for one minute
Contact Resistance: 30M Ohms Max.
Operation Temperature: -40°C to +105°C
Terminated with: 0.039" [1.0mm] pitch cable assembly

Materials:
Contact Material: Brass
Insulator Material: PBT, glass reinforced, rated UL 94V-0

Tails may be clipped to achieve specific dimensions.
Products cut to specific sizes are uncancellable/ nonreturnable.
Parts are subject to change without notice.



PROPRIETARY AND CONFIDENTIAL
THE INFORMATION CONTAINED IN THIS DRAWING IS THE SOLE PROPERTY OF Major League Electronics. ANY REPRODUCTION IN PART OR AS A WHOLE WITHOUT THE WRITTEN PERMISSION OF Major League Electronics IS PROHIBITED.

| | | | | | |
|-----------------------------|--|----------------------|-----|-------------------------------|--|
| UNLESS OTHERWISE SPECIFIED: | | NAME | | DATE | |
| DIMENSIONS ARE IN INCHES | | DRAWN | EW | 03/13/14 | |
| TOLERANCES: | | CHECKED | GWE | 03/13/14 | |
| ONE DECIMALS ±.100 | | ENG APPR. | | | |
| TWO DECIMALS ±.010 | | MFG APPR. | | | TITLE: SHTSL-2 SERIES SIZE DWG. NO. C REV A SCALE 4:1 SHEET 1 OF 1 |
| THREE DECIMALS ±.002 | | ADDRESS: | | 2533 Centennial Blvd. | |
| FOUR DECIMALS ±.0002 | | MATERIAL: | | Jeffersonville, IN 47130 | |
| NEXT ASSY USED ON | | FINISH: | | Phone: 812-670-4174 | |
| APPLICATION | | DO NOT SCALE DRAWING | | E-Mail: mle@mlelectronics.com | |